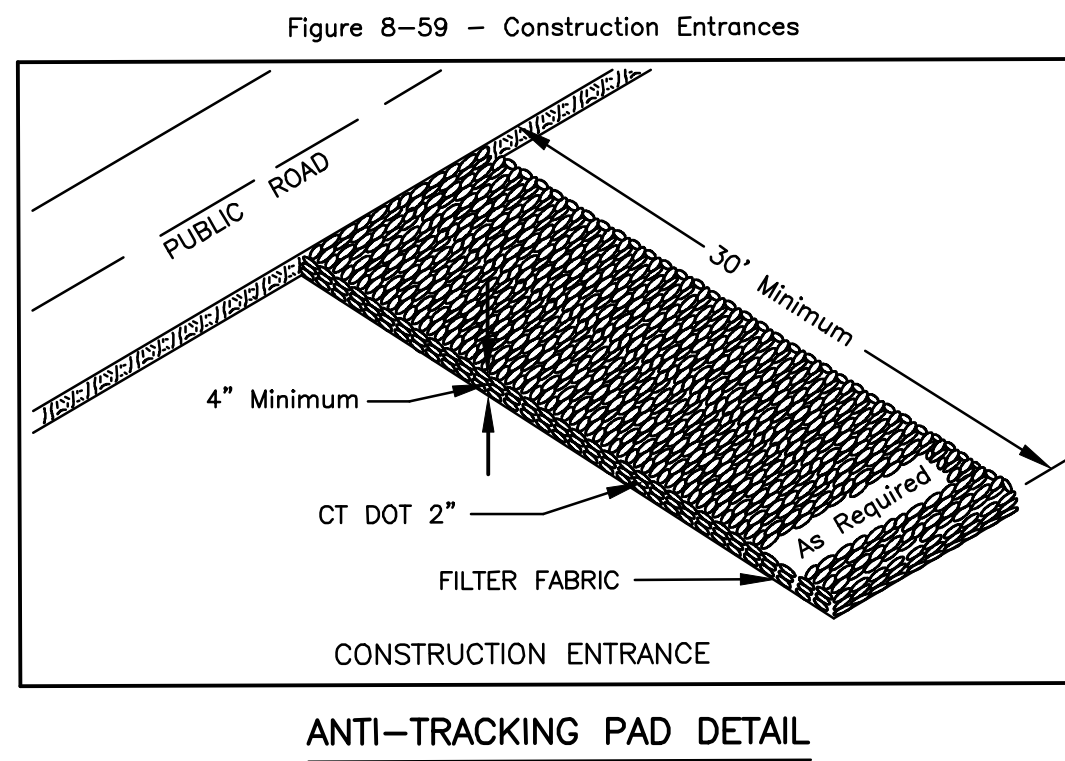
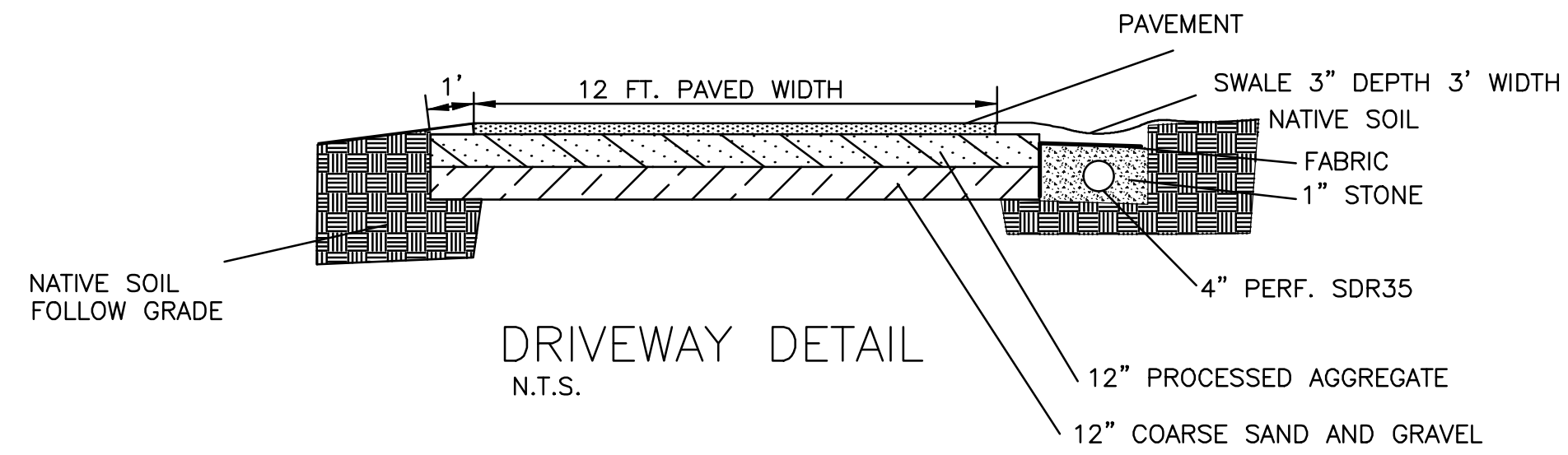
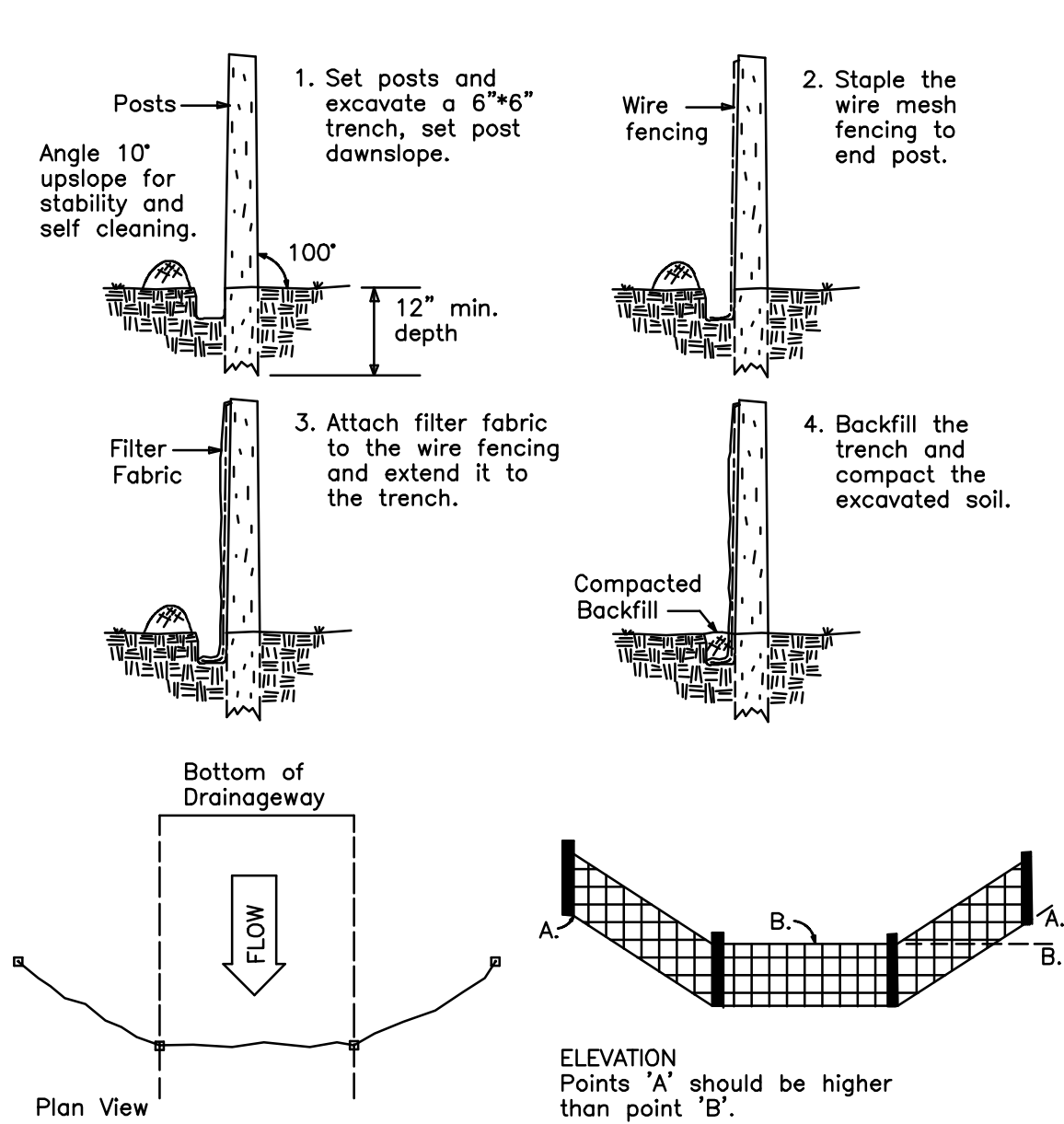


Figure 7-9 - Placement and Construction of a Synthetic Filter Barrier



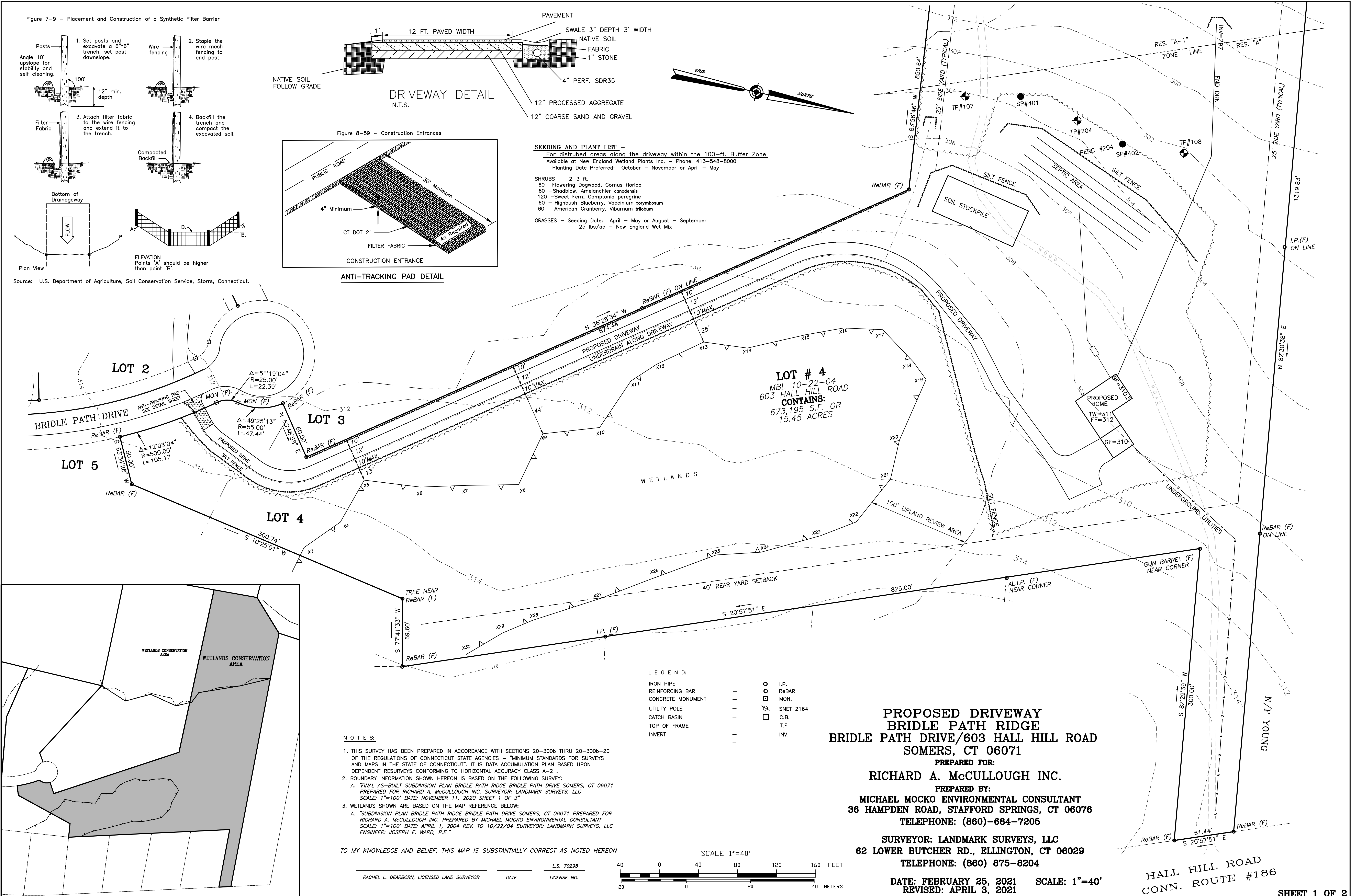
**SEEDING AND PLANT LIST -**

For disturbed areas along the driveway within the 100-ft. Buffer Zone  
 Available at New England Wetland Plants Inc. - Phone: 413-548-8000  
 Planting Date Preferred: October - November or April - May

SHRUBS - 2-3 ft.  
 60 - Flowering Dogwood, *Cornus florida*  
 60 - Shadblow, *Amelanchier canadensis*  
 120 - Sweet Fern, *Comptonia peregrina*  
 60 - Highbush Blueberry, *Vaccinium corymbosum*  
 60 - American Cranberry, *Viburnum trilobum*

GRASSES - Seeding Date: April - May or August - September  
 25 lbs/ac - New England Wet Mix

Source: U.S. Department of Agriculture, Soil Conservation Service, Storrs, Connecticut.



**NOTES:**

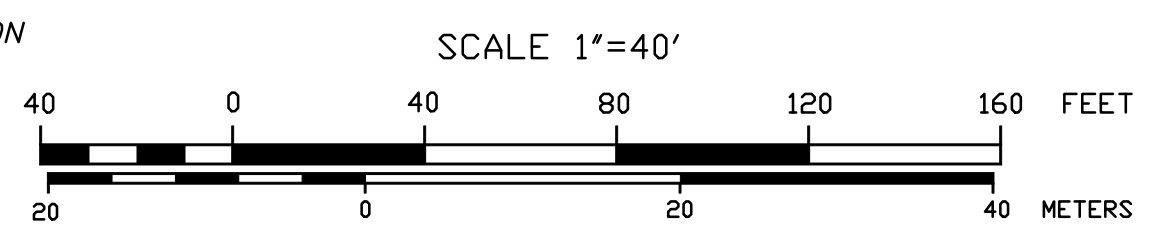
- THIS SURVEY HAS BEEN PREPARED IN ACCORDANCE WITH SECTIONS 20-300b THRU 20-300b-20 OF THE REGULATIONS OF CONNECTICUT STATE AGENCIES - "MINIMUM STANDARDS FOR SURVEYS AND MAPS IN THE STATE OF CONNECTICUT". IT IS DATA ACCUMULATION PLAN BASED UPON DEPENDENT RESURVEYS CONFORMING TO HORIZONTAL ACCURACY CLASS A-2 .
- BOUNDARY INFORMATION SHOWN HEREON IS BASED ON THE FOLLOWING SURVEY:  
 A. "FINAL AS-BUILT SUBDIVISION PLAN BRIDLE PATH RIDGE BRIDLE PATH DRIVE SOMERS, CT 06071 PREPARED FOR RICHARD A. McCULLOUGH INC. SURVEYOR: LANDMARK SURVEYS, LLC SCALE: 1"=100' DATE: NOVEMBER 11, 2020 SHEET 1 OF 3"
- WETLANDS SHOWN ARE BASED ON THE MAP REFERENCE BELOW:  
 A. "SUBDIVISION PLAN BRIDLE PATH RIDGE BRIDLE PATH DRIVE SOMERS, CT 06071 PREPARED FOR RICHARD A. McCULLOUGH INC. PREPARED BY MICHAEL MOCKO ENVIRONMENTAL CONSULTANT SCALE: 1"=100' DATE: APRIL 1, 2004 REV. TO: 10/22/04 SURVEYOR: LANDMARK SURVEYS, LLC ENGINEER: JOSEPH E. WARD, P.E."

TO MY KNOWLEDGE AND BELIEF, THIS MAP IS SUBSTANTIALLY CORRECT AS NOTED HEREON

RACHEL L. DEARBORN, LICENSED LAND SURVEYOR      DATE      L.S. 70295      LICENSE NO.

**LEGEND:**

IRON PIPE	---	I.P.
REINFORCING BAR	---	ReBAR
CONCRETE MONUMENT	---	MON.
UTILITY POLE	---	SNET 2164
CATCH BASIN	---	C.B.
TOP OF FRAME	---	T.F.
INVERT	---	INV.



**PROPOSED DRIVEWAY  
 BRIDLE PATH RIDGE  
 BRIDLE PATH DRIVE/603 HALL HILL ROAD  
 SOMERS, CT 06071**

PREPARED FOR:  
**RICHARD A. McCULLOUGH INC.**

PREPARED BY:  
**MICHAEL MOCKO ENVIRONMENTAL CONSULTANT  
 36 HAMPDEN ROAD, STAFFORD SPRINGS, CT 06076  
 TELEPHONE: (860)-684-7205**

SURVEYOR: LANDMARK SURVEYS, LLC  
 62 LOWER BUTCHER RD., ELLINGTON, CT 06029  
 TELEPHONE: (860) 875-8204

DATE: FEBRUARY 25, 2021      SCALE: 1"=40'  
 REVISED: APRIL 3, 2021

HALL HILL ROAD  
 CONN. ROUTE #186