

CONSTRUCTION SCHEDULE &
EROSION & SEDIMENT CONTROL CHECKLIST

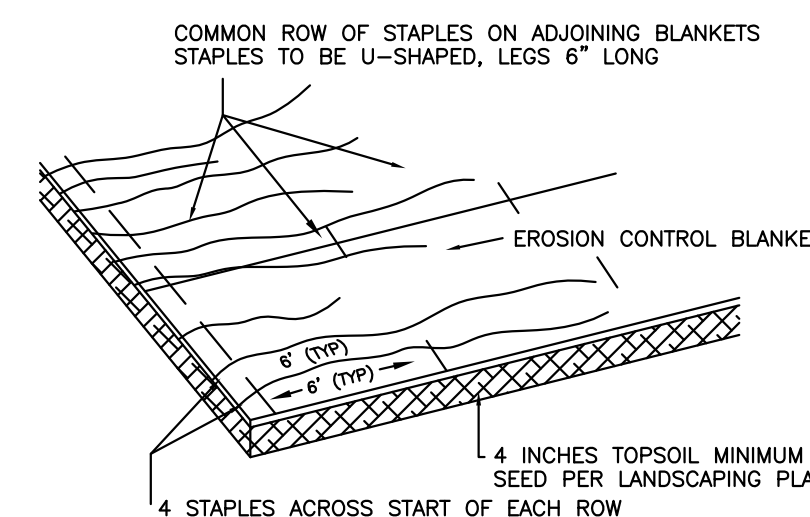
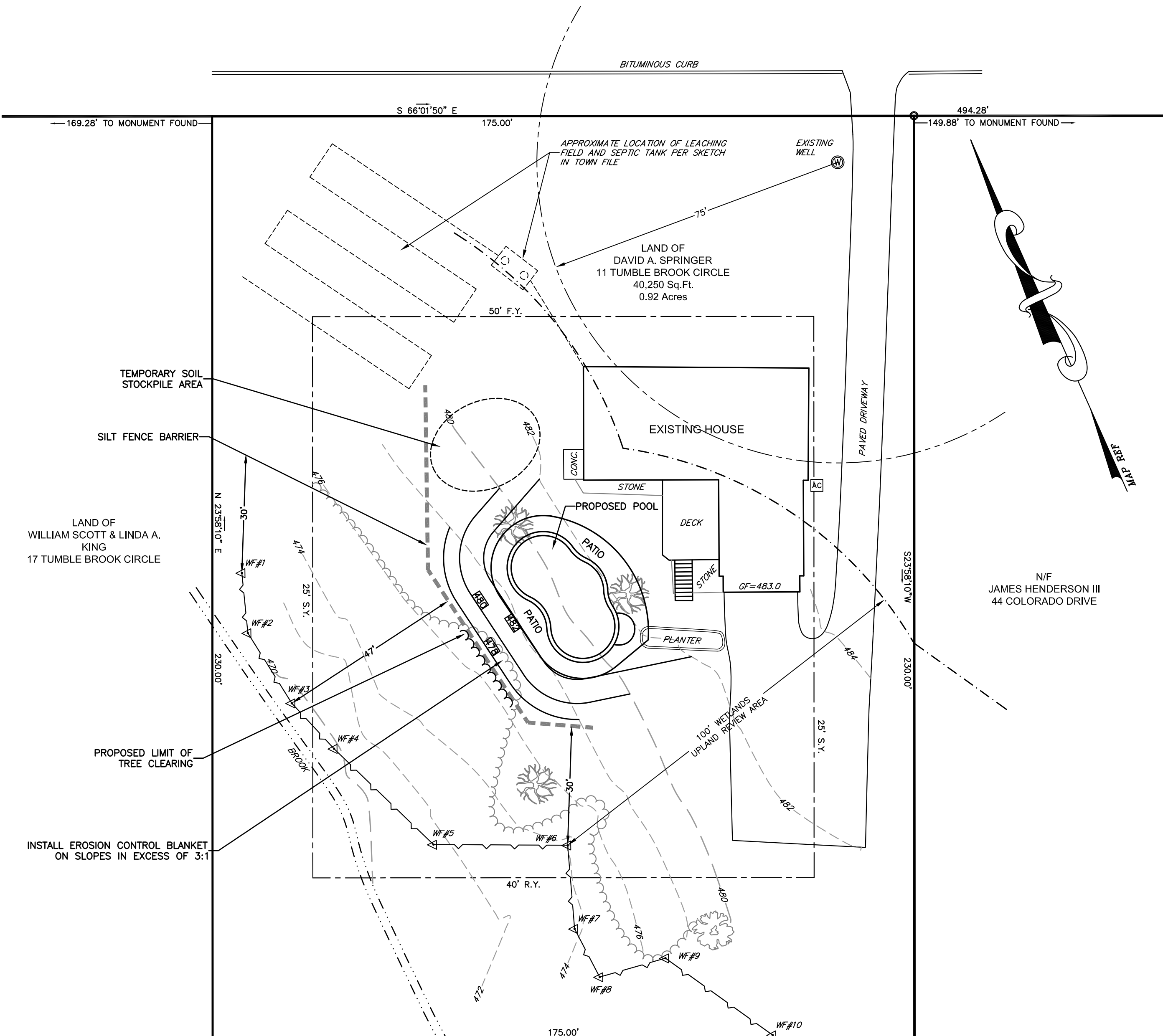
PROJECT NAME: INGROUND POOL CONSTRUCTION
LOCATION: 11 TUMBLE BROOK CIRCLE, SOMERS, CT
PROJECT DESCRIPTION: CONSTRUCTION OF AN IN-GROUND POOL
PARCEL AREA: 0.92 ACRES
RESPONSIBLE PERSONNEL: DAVID SPRINGER (860) 982-2653

WORK DESCRIPTION	EROSION & SEDIMENT CONTROL MEASURES	DATE INSTALLED	INITIALS
CUT TREES AND BRUSH	INSTALL SILT FENCE		
REMOVE STUMPS			
ROUGH GRADING			
CONSTRUCT POOL			
FINAL GRADE SITE	LOAM AND SEED DISTURBED ALL DISTURBED AREAS REMOVE SILT FENCE WHEN SITE IS STABILIZED		

PROJECT DATES:
DATE OF CONSTRUCTION START: AUGUST 1, 2021
DATE OF CONSTRUCTION COMPLETION: 1 MONTH AFTER START

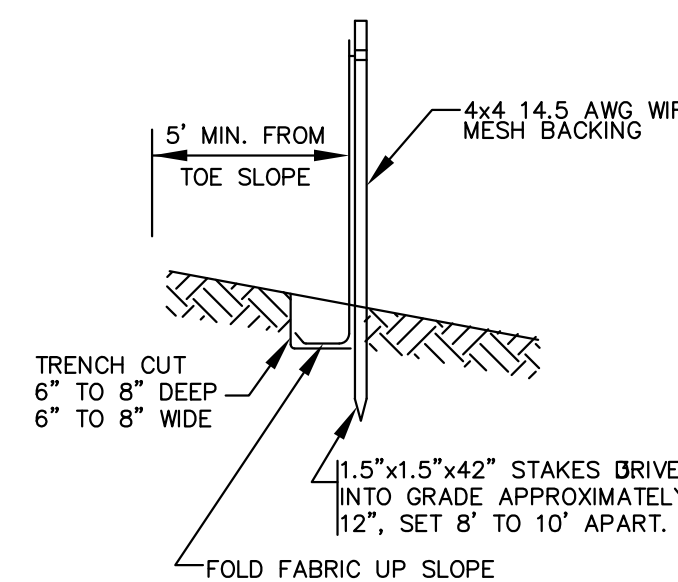
EROSION AND SEDIMENT CONTROL PROCEDURES SHALL ESSENTIALLY BE IN ACCORDANCE WITH THESE PLANS, AS REQUIRED BY TOWN REGULATIONS, AND THE MANUAL, "GUIDELINES FOR SOIL EROSION AND SEDIMENT CONTROL" FOR CONNECTICUT, BY THE COUNCIL ON SOIL AND WATER CONSERVATION, 1985, REVISED TO 2002.

TUMBLE BROOK CIRCLE



- NOTES:
1. APPLY ON SLOPES STEEPER THAN 3:1.
 2. EROSION CONTROL BLANKET TO BE NORTH AMERICAN GREEN S 150 DOUBLE NET STRAW BLANKET OR EQUAL.
 3. INSTALL ACCORDING TO MANUFACTURER'S RECOMMENDATIONS.

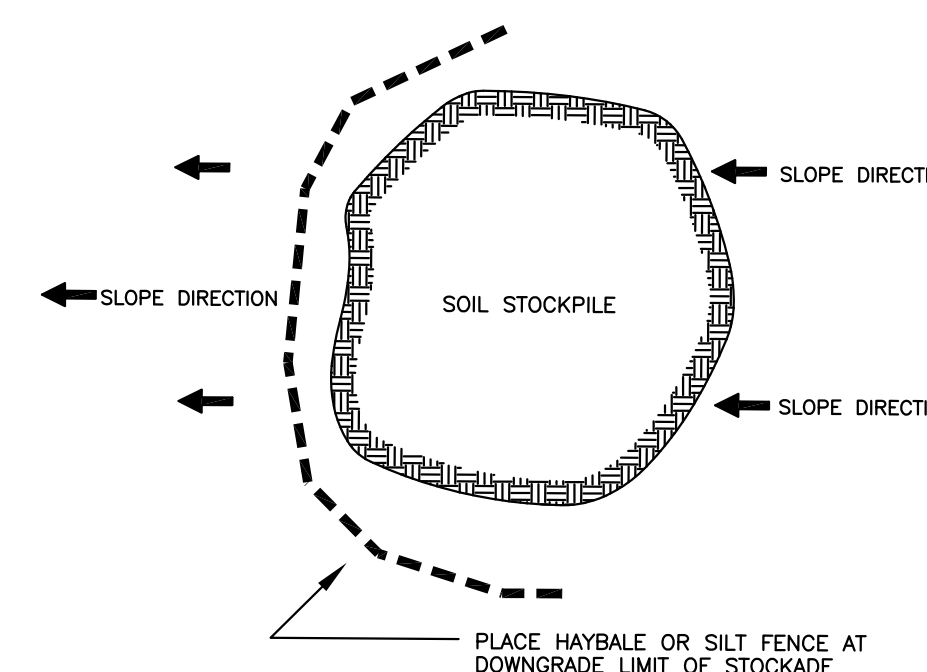
EROSION CONTROL BLANKET



- NOTES:
1. SEDIMENT CONTROL FABRIC TO BE A GEOTEXTILE MATERIAL TREATED TO RESIST DEGRADATION FROM EXPOSURE TO SUNLIGHT.
 2. USE ONLY GEOTEXTILES WHICH ARE ALREADY ON THE CONNECTICUT DEPARTMENT OF TRANSPORTATION'S GEOTEXTILE APPROVED LIST OF GEOTEXTILES.
 3. AFTER FOLDING FABRIC EDGE, BACKFILL TRENCH WITH TAMPED ORIGINAL SOIL OR AGGREGATE.
 4. INSTALL PER 2002 CONNECTICUT GUIDELINES FOR SOIL EROSION AND SEDIMENT CONTROL.
 5. FABRIC SHALL BE PREFABRICATED WITH 4"x4" 14.5 AWG WIRE MESH BACKING.

SILT FENCE INSTALLATION

NOT TO SCALE



STOCKPILE EROSION PROTECTION DETAIL

TEMPORARY SEEDING SCHEDULE:

SPECIES	LBS/ACRE	LBS/1000SF	SEEDING DATES
ANNUAL RYEGRASS	40	1.0	3/1-6/15, 8/1-10/15
WINTER RYE	120	3.0	4/15-7/1, 8/15-10/15
SUDANGRASS	30	0.7	5/15-8/1

TEMPORARY SEEDING IS NOT LIMITED TO THE SPECIES SHOWN. OTHER SPECIES RECOMMENDED BY THE SCS OR AS LIMITED BY SITE CONDITIONS MAY BE USED.

STRAW MULCH IS TO BE APPLIED TO SEEDING AREA AT THE RATE OF 1-1/2 TO 2 TONS PER ACRE, 70 TO 90 LBS. PER 1000 SQ. FT.

FINAL SEEDING SCHEDULE:

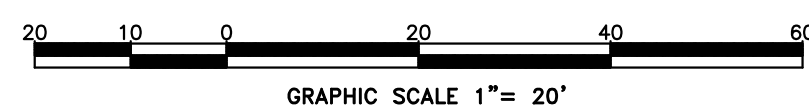
PROVIDE 4 INCHES OF TOPSOIL MINIMUM, FREE OF ROOTS, LARGE STONES, AND OTHER OBJECTS.

SPECIES	LBS/ACRE	LBS/1000SF	SEEDING DATES
KENTUCKY BLUEGRASS	20	0.45	4/1-6/15, 8/15-10/1
CREeping RED FESCUE	20	0.45	4/1-6/15, 8/15-10/1
PERENNIAL RYEGRASS	5	0.10	4/1-6/15, 8/15-10/1
TOTAL	45	1.00	

NOTES:

1. THIS SURVEY AND MAP HAVE BEEN PREPARED PURSUANT TO THE REGULATIONS OF CONNECTICUT STATE AGENCIES SECTIONS 20-300b-1 THROUGH 20-300b-20 "MINIMUM STANDARDS FOR SURVEYS AND MAPS IN THE STATE OF CONNECTICUT". THIS IS AN IMPROVEMENT LOCATION SURVEY AND A DEPENDANT RESURVEY WITH CORRECTIONS CONFORMING TO HORIZONTAL ACCURACY CLASS A-2 AND TOPOGRAPHIC ACCURACY CLASS 1-2.
2. BEARINGS DEPICTED ON THIS PLAN ARE BASED THE PLAN REFERENCED IN NOTE 3A. ELEVATIONS DEPICTED ARE ON AN ASSUMED DATUM.
3. REFERENCE IS MADE TO THE FOLLOWING MAPS:
A. SUBDIVISION PLAN HILLSIDE ACRES - SECTION TWO PROPERTY OF KENNETH JOHNSON & CHARLES WHITE SOMERS, CONN. BY MEGSON & HYPPA. DATE: 2-16-73. REVISED: 1-10-74.
4. PARCEL IS LOCATED IN THE RESIDENCE A-1 ZONE.
5. UNDERGROUND UTILITY, STRUCTURE AND FACILITY LOCATIONS DEPICTED HEREON HAVE BEEN COMPILED, IN PART, FROM RECORD MAPPING AND OTHER DATA SUPPLIED BY THE RESPECTIVE UTILITY COMPANIES, GOVERNMENTAL AGENCIES AND/OR OTHER SOURCES. THESE LOCATIONS MUST BE CONSIDERED APPROXIMATE IN NATURE. ADDITIONALLY, OTHER SUCH FEATURES MAY EXIST ON THE SITE, THE EXISTENCE OF WHICH ARE UNKNOWN TO GARDNER & PETERSON ASSOCIATES, LLC. THE EXISTENCE, SIZE AND LOCATION OF ALL SUCH FEATURES MUST BE DETERMINED AND VERIFIED IN THE FIELD BY THE APPROPRIATE AUTHORITIES PRIOR TO CONSTRUCTION. CALL BEFORE YOU DIG 1-800-922-4455.
6. THE TOTAL SITE DISTURBANCE DEPICTED ON THIS PLAN IS 0.09 ACRES.

I HEREBY DECLARE THAT, TO THE BEST OF MY KNOWLEDGE AND BELIEF, THIS MAP IS SUBSTANTIALLY CORRECT AS NOTED HEREON.



LEGEND

	PROPERTY BOUNDARY
	IRON PIN/PIPE FOUND
	ZONING SETBACK
	EXISTING ELEVATION CONTOUR
	EX. ELEVATION
	PROPOSED CONTOUR
	PROPOSED SILT FENCE BARRIER
	EXISTING TREELINE
	LIMIT OF CLEARING
	LIMIT OF INLAND WETLANDS

THE WETLAND SOILS ON THIS PROPERTY WERE IDENTIFIED IN THE FIELD USING THE CRITERIA REQUIRED BY CONNECTICUT P.A. 72-155 AS AMENDED BY P.A. 73-571 AND ARE ACCURATELY REPRESENTED ON THIS PLAN.

RICHARD ZULICK C.S.S.

IMPROVEMENT LOCATION SURVEY

PERMIT PLAN

LAND OF
DAVID SPRINGER
11 TUMBLE BROOK CIRCLE
SOMERS, CONNECTICUT

GARDNER & PETERSON ASSOCIATES, LLC

178 HARTFORD TURNPIKE
TOLLAND, CONNECTICUT

PROFESSIONAL ENGINEERS LAND SURVEYORS



REVISIONS
06/07/2021
06/15/2021

BY	SCALE	DATE	SHEET NO.	MAP NO.
E.R.P.	1"=20'	05-21-2021	1 OF 1	10970-12