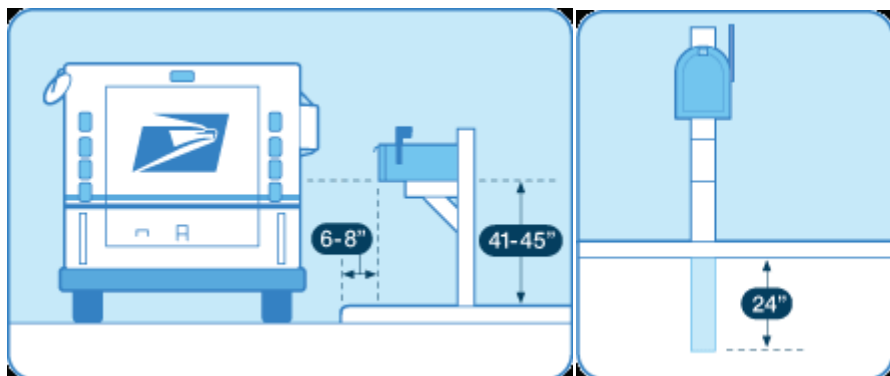


## Mailbox Installation Guide From USPS

Your local postmaster must approve the location of your mailbox.

Put a roadside mailbox where a carrier can reach inside without leaving the truck. That means positioning it about 41" to 45" off the ground and back about 6" to 8" from the curb.



If you're mounting a curbside mailbox on a post near the street, the support should be secure and safe. The best supports are designed to bend or fall away if a car hits them.

The Federal Highway Administration recommends...

- a wooden mailbox support no bigger than 4" x 4".
- a 2"-diameter standard steel or aluminum pipe.

Bury your post no more than 24" deep, so it can give way in an accident.

Don't use potentially dangerous supports, such as...

- heavy metal pipes.
- concrete posts.
- farm equipment, such as milk cans filled with concrete.

In areas with lots of snow, we suggest a semi-arch or extended arm-type support. That way, snowplows will be able to sweep under without knocking it down.